

PRELIMINARY PRODUCT INFORMATION - A3 black & white MFP that is adaptable to your future needs

BP-30M31

Office MFP with enhanced security that keeps pace with changing workforce needs



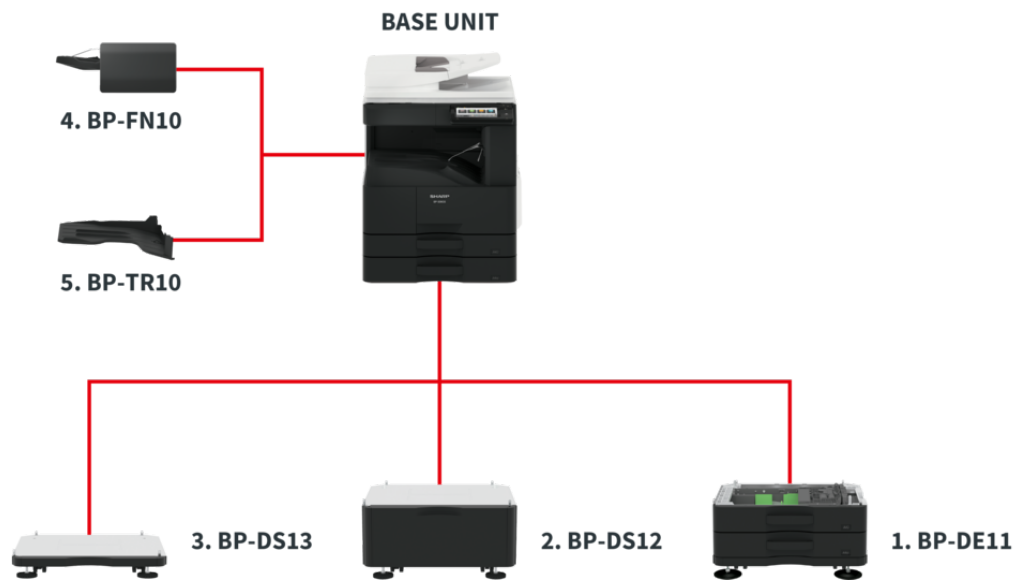
- 7.0-inch colour LCD touchscreen with Easy UI mode provides easy, intuitive operation
- Direct print Microsoft® Office files from USB drives*² (option)
- Store documents ready for printout from any compatible networked MFP using Print Release*³
- Sends scanned data via Gmail™ or Microsoft Exchange/Online*⁴ accounts
- Support for a secondary LAN (option) provides simultaneous support for two networks, including a combination of wireless and wired networks
- Sharp Application Portal for downloading of firmware and updating of connectors
- Support for mobile printing solutions including AirPrint (option) NFC*¹ (option) and QR Code enabling easy direct connection between MFP and mobile device
- OCR allows users to convert scanned documents into editable Microsoft® Office files and searchable PDFs (option)
- Easy access to public cloud services via single sign-on (option)
- For large-volume scanned data, a URL can be generated and shared via email
- Advanced system/data protection and access control, including SSL validation, firmware self-recovery and whitelisting*⁵
- Space-saving inner finisher (option) automates document sorting and stapling

*¹ The NFC interface is for Android™ devices running Android 9 or earlier. Requires third-party NFC card reader. *² This function is enabled via Qualcomm® DirectOffice™ technology. *³ Can be used from any of five network-connected MFPs. *⁴ Exchange Server 2010/2013/2016, Exchange Online *⁵ Certain functions require optional equipment.

www.sharp-cee.com

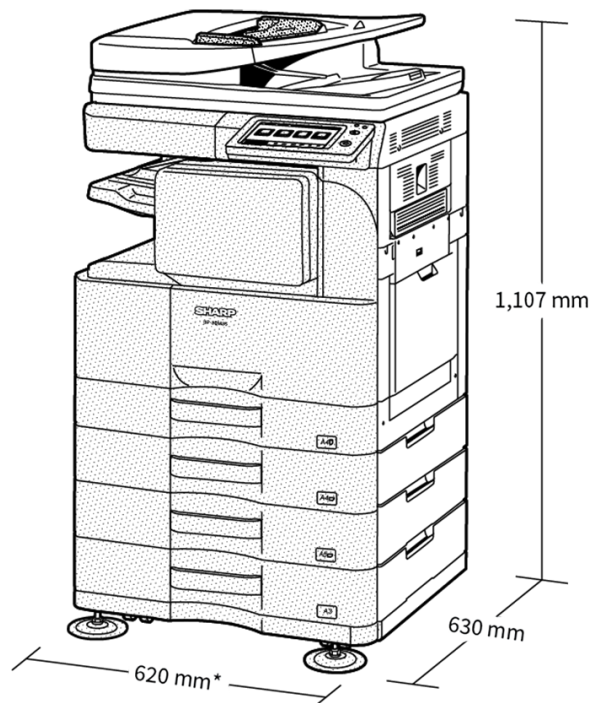
SHARP
Be Original.

Configurations



Configurations may differ per sales region. Please contact your local Sharp representative for further information.

Dimensions



*Including adjuster.

1,081 mm when finisher tray and multi bypass tray are extended.

Shown with optional equipment.

Dimensions are shown with optional equipment. Options may differ per region.

Options

Base Unit

1. BP-DE11 Stand with 2 x 500-Sheet Paper Drawers

500 sheets* each for lower and upper trays, A3W – A5R (60 – 220 g/m²)

2. BP-DS12 High Stand

3. BP-DS13 Low Stand

* Number of sheets based on 80 g/m².

Note: If you install the MFP on a floor, Sharp recommends setting it up on a stand (BP-DS13, BP-DS12, or BP-DE11).

Printing

MX-PK13 PS3 Expansion Kit

Adobe PostScript®3™ expansion kit

MX-PF10 Barcode Font Kit

Enables barcode printing

MX-PU10 Direct Print Expansion Kit

Direct print Microsoft® Office files from USB drives

Connectivity

MX-EB18 Wireless LAN Adaptor

Enables connection to wireless networks

Sharp OSA®

MX-AMX1 Application Integration Module

MX-AMX2 Application Communication Module

MX-AMX3 External Account Module

Finishing

4. BP-FN10 Finisher TBC

Paper size:

- Offset: A3 - A5 (A5: long-edge feeding)
- Non-Offset: A3 -A6 (A6: short-edge feeding)
- Staple: A3 - B5

Paper capacity:

- Offset/Non-Offset/Staple: max. 500-sheets*1 (A4 or smaller)
- Offset/Non-Offset/Staple: max. 250-sheets*1 (B4 or larger)

Stapling capacity:

- max. 50-sheets (A4, B5)
- max. 30-sheets (A3, B4)

Staple position: 1 location at rear (slant)

5. BP-TR10 Job Separator

Enables copy/print and fax jobs to be separated using upper and main output trays

* Number of sheets based on 80 g/m².

Faxing

MX-FX15 Fax Expansion Kit

MX-FWX1 Internet Fax Expansion Kit

Scanning

MX-EB19 Enhanced Compression Kit

Enables creation of high compression PDFs

MX-EB20 OCR Expansion Kit

Convert scanned documents into editable Microsoft® Office files and searchable PDFs via Optical Character Recognition (OCR)

Security

BP-FR11U Data Security Kit

Commercial version

Specifications

GENERAL

| | |
|--|-----------------------|
| Engine speed B/W ppm (A4) | 31 |
| Engine speed B/W ppm (A3) | 17 |
| Paper size: Min.-Max. | A6R - A3 |
| Paper weight (g/m ²) | 55 - 200 |
| Paper capacity:Std (sheets) | 1100 |
| Paper capacity: Max. (sheets) | 2100 |
| Warm Up Time (sec.) | 19 |
| Memory general min/max (GB) | 4 |
| SSD | STD / OPT |
| SSD Capacity (GB) | 128 / 512 |
| Duplex | STD |
| Power requirements - rated local AC voltage (Hz) | 220 - 240V, 50 / 60Hz |
| Power consumption (kW) | 1,45 |
| Dimensions (mm) | 620 x 614 x 830 |
| Weight (kg) | 49 |

DOCUMENT FEEDER

| | |
|----------------------------|-----|
| Original capacity (sheets) | 100 |
|----------------------------|-----|

DOCUMENT FILING

| | |
|---|---|
| Document filing (Standard / Option) | STD |
| Document filing capacity- main and custom folders (pages) | 5000 |
| Document filing capacity - quick file folder (pages) | 5000 |
| Stored jobs | Copy, print, scan, fax transmission |
| Storage folders | Quick file folder, main folder, custom folder (max. 1000) |
| Confidential storage | . |

FAX

| | |
|--|---------------------------|
| Fax (Standard / Option) | OPT |
| Compression method | MH / MR / MMR / JBIG |
| Communication protocol | Super G3 |
| Transmission time (sec) | 2 |
| Modem Speed (bps) | 33.600 - 2.400 |
| Transmission resolution | 203,2 x 97,8, 406,4 x 391 |
| Document Size (Min) | A5 |
| Document Size (Max) | A3 |
| Memory (GB) | 1 |
| Grey Scale levels | 256 |
| Dial Registration; rapid/speed dial | 2000 |
| Broadcast Transmission (max. destinations) | 500 |

WIRELESS LAN

| | |
|----------------------------------|---|
| Wireless LAN (Standard / Option) | OPT |
| Compliant regulation | IEEE802.11n / g / b |
| Access mode | Infrastructure mode, Software AP mode |
| Security | WEP, WPA / WPA2-mixed PSK, WPA / WPA2-mixed EAP, WPA2 PSK, WPA2 EAP |

COPIER

| | |
|--|-----------|
| Original paper size (Max.) | A3 |
| First copy out time B/W (sec.) | 4,3 |
| E-sort Std | . |
| Continuous copy (Max. copies) | 9999 |
| Resolution Scan B/W (dpi) | 600 x 600 |
| Resolution Scan Colour (dpi) | 600 x 600 |
| Resolution Print (dpi) | 600 x 600 |
| Gradation (equivalent levels) - B/W | 2 |
| Gradation (equivalent levels) - Colour | 256 |
| Zoom range (%) | 25 - 400 |
| Preset copy ratios | 10 |

SCANNER

| | |
|-------------------------------------|---|
| Network Scanner (Standard / Option) | STD |
| Scan method Push scan and Pull scan | . |
| Resolution push scan (dpi) | 100, 150, 200, 300, 400, 600 |
| Resolution pull scan (dpi) | 75, 100, 150, 200, 300, 400, 600, 50 - 9600 |
| File formats | STD: TIFF, PDF, PDF / A-1b, encrypted PDF, JPEG, XPS. OPT: PDF / A-1a, compact PDF, searchable PDF, Microsoft Office (pptx, xlsx, docx), text (TXT), rich text (RTF). |
| Scan destinations Desktop | . |
| Scan destination FTP, Email | . |
| Scan destination Network folder | . |
| Scan destination USB memory | . |

PRINTER

| | |
|-------------------------------------|--|
| Resolution (dpi) | 600 x 600, 1200 x 600 |
| Network Printer (Standard / Option) | STD |
| Interface Std/Opt | STD: USB 2.0, 10Base-T / 100Base-TX / 1000Base-T. OPT: Secondary LAN support |
| Supported OS Standard | Windows 8.1, 10. Windows Server 2012, 2012R2, 2016, 2019. |
| Supported OS Options | Mac OS X 10.9, 10.10, 10.11, 10.12, 10.13, 10.14, 10.15, 11.0 |
| Network protocols | TCP / IP (IPv4, IPv6) |
| Printing protocols | LPR, Raw TCP (port 9100), POP3 (e-mail printing), HTTP, FTP for downloading print files, IPP, SMB, WSD |
| PDL Std/Opt | STD: PCL 6. OPT: Genuine Adobe PostScript 3. |
| Available fonts | 80 (PCL), 139 (Genuine Adobe PostScript 3) |

FINISHING

| | |
|-------------------------------|-----|
| Output Capacity Max. | 500 |
| Staple Capacity (sheets) Max. | 50 |
| Off-set shifting | STD |

TONER YIELD

| | |
|------------------------------|-------|
| Black (pages at 6% coverage) | 27500 |
|------------------------------|-------|

Design and specifications are subject to change without prior notice. All information was correct at time of print. Microsoft, Excel, PowerPoint, OneDrive, SharePoint, Active Directory, Windows Server, and Windows are either registered trademarks or trademarks of Microsoft Corporation in the US and/or other countries. Adobe and PostScript 3 are either registered trademarks or trademarks of Adobe Systems Incorporated in the US and/or other countries. Google Drive, Gmail, Android, and Google Cloud Print are trademarks of Google LLC. The Google Drive trademark is used with permission from Google LLC. Box is a trademark, service mark, or registered trademark of Box, Inc. QR Code is a registered trademark of DENSO WAVE INCORPORATED in Japan and other countries. AirPrint and Mac are trademarks of Apple Inc., registered in the US and other countries. PCL is a registered trademark of Hewlett-Packard Company. Qualcomm DirectOffice is a product of Qualcomm Technologies, Inc. and/or its subsidiaries. Qualcomm is a trademark of Qualcomm Incorporated, registered in the US and other countries. DirectOffice is a trademark of CSR Imaging US, LP, registered in the US and other countries. All other company names, product names and logotypes are trademarks or registered trademarks of their respective owners. ©Sharp Corporation March 2021. Ref: BP-30M31 Datasheet. All trademarks acknowledged. E&O.

HEADQUARTERS SHARP CENTRAL & EASTERN EUROPE
 A-1020 Vienna
 Handelskai 342
 Austria
 Phone: +43 1 72719-0
 Fax: +43 1 72719-289
 Internet: www.sharp-cee.com

SHARP
 Be Original.