

# W5700

## BenQ DLP Projector



### Features

- True 4K UHD (3840 x 2160) 8.3 Million Pixels Resolution
- HDR Pro: Enhanced Dynamic Range for HDR with HDR10 & HLG
- BenQ CinematicColor™ Technology for Supreme Colors
- Factory Calibrated 100% DCI-P3 and Rec.709 with Optimized RGBRGB Color Wheel
- 1.6X Big Zoom Lens and Horizontal & Vertical Lens Shift
- CinemaMasterVideo Enhancer (4K MEMC, Detail Enhancement)
- 3D Compatibility



### Product Specifications

Projection System	DLP
DMD type	0.47"
Native Resolution	4K UHD (3840 x 2160)
Brightness	1,800 ANSI Lumens
Contrast Ratio**	100,000 : 1 (with Dynamic Iris)
Display Color	30 Bits (1.07 billion colors)
Aspect Ratio	Native 16 : 9 (3 aspect ratios selectable)
Light Source	Lamp
Light Source life*	Normal 4,000 hours / Economic 10,000 hours / SmartEco 8,000 hours
Throw Ratio	1.36 ~ 2.18 (100" @ 3 m)
Zoom Ratio	1.6X
Lens	F/# 1.81~2.1, f 14.3 (Wide)~22.9 (Tele)
Keystone Correction	1D, Vertical ± 40 degrees
Lens Shift	Vertical: ± 60% / Horizontal: ± 23%
Projection Size (Clear Focus / Maximum)	60" ~ 200" / 300"
Picture Mode	*** ISF Disabled: Bright / Vivid / Cinema (Rec. 709) / D. Cinema / Silence / 3D / User 1 / HDR / HLG **** ISF Enabled: Bright / Vivid / Cinema (Rec. 709) / D. Cinema/ Silence / ISF Night / ISF Day
Color Wheel Segment	6 segments
Color Wheel Speed	2D: 96Hz, 100Hz, 120Hz / 3D 120Hz
Security	Security Bar
Feature	HDR, HLG, 3D, Motion Enhancer 4K, Pixel Enhancer 4K
Special Feature	HDR10 / HLG / ISF / CinemaMasterVideo+ (Motion Enhancer 4K, Pixel Enhancer 4K) / LAN control
Resolution Support	VGA (640 x 480) to 4K UHD (3840 x 2160)
Horizontal Frequency	15K-102KHz
Vertical Scan Rate	23-120Hz
HDTV Compatibility	480i, 480p, 576i, 576p, 720p, 1080i, 1080p, 2160p
Power Consumption (Max / Normal / Eco)	405W / 330W / 247W
Standby Power Consumption	0.5W Max. at 100 ~ 240VAC
Network Stand-by Power Consumption	<2W
Power Supply	VAC 100 ~ 240 (50/60Hz)
Product Dimensions (W x H x D)	492 x 168 x 349 mm
Product Weight	6.5 kg
Noise Level (Normal / Eco)	32 dBA / 26 dBA
Operating Temperature	0~40 degrees (Celsius)
Accessories (Standard)	Remote Control with Battery x 1 (RCV016) Power Cord (3m) x 1 User Manual CD (27L) Installation Guide (9L) Warranty Card Lens cover x 1
Accessories (Optional)	Spare Lamp Kit 3D Glasses
On Screen Display Language	28 Languages

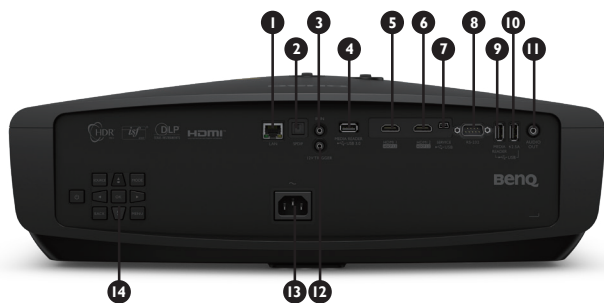
\*Lamp life results will vary depending on environmental conditions and usage.

\*\* The Contrast is measured by Full On Full Off standard.

\*\*\* Default picture mode is Cinema (Rec. 709).

\*\*\*\* When ISF is enabled, default picture mode is ISF Night.

## Input and Output Terminals



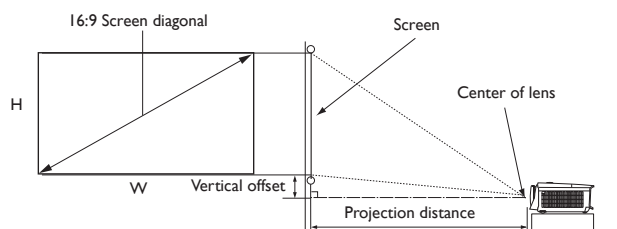
- |   |   |
|---|---|
| 1 RJ-45 LAN input jack (10/100M)                      | 8 RS232 In (D-sub 9pin, male)                         |
| 2 SPDIF audio output port                             | 9 USB 2.0 Type-A port (Media Reader/Firmware upgrade) |
| 3 IR-IN jack  | 10 USB Type-A port (2.5 A power supply)               |
| 4 USB 3.0 Type-A port (Media Reader/Firmware upgrade) | 11 Audio Out (mini jack)                              |
| 5 HDMI-1 (HDMI 2.0b & HDCP 2.2)                       | 12 DC 12V Trigger (3.5mm Jack)                        |
| 6 HDMI-2 (HDMI 2.0b & HDCP 2.2)                       | 13 12V DC output terminal                             |
| 7 USB Mini-B port (firmware upgrades)                 | 14 Keypad   |

## Dimensions



## Distance Chart

The screen aspect ratio is 16:9 and the projected picture is in a 16:9 aspect ratio

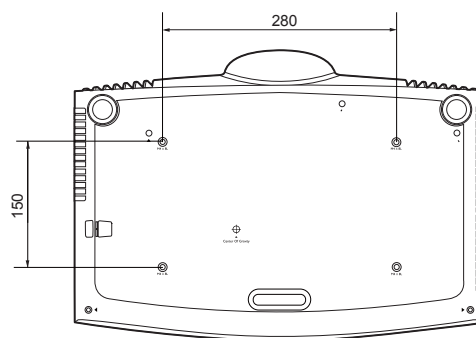


Screen size			Distance from screen (mm)			Vertical offset (mm)	
Diagonal size	H	W	Min length (max zoom)	Average	Max length (min zoom)		
inch	mm	(mm)	(mm)				
60	1524	747	1328	1800	2348	2896	75
70	1778	872	1550	2100	2739	3378	87
80	2032	996	1771	2400	3130	3861	100
90	2286	1121	1992	2700	3522	4343	112
100	2540	1245	2214	3000	3913	4826	125
110	2794	1370	2435	3300	4304	5309	137
120	3048	1494	2657	3600	4696	5791	149
130	3302	1619	2878	3900	5087	6274	162
140	3556	1743	3099	4200	5478	6757	174
150	3810	1868	3321	4500	5870	7239	187
160	4064	1992	3542	4800	6261	7722	199
170	4318	2117	3763	5100	6652	8204	212
180	4572	2241	3985	5400	7043	8687	224
190	4826	2366	4206	5700	7435	9170	237
200	5080	2491	4428	6000	7826	9652	249

For example, if you are using a 120-inch screen, the recommended projection distance is 4696 mm. If your measured projection distance is 5000 mm, the closest match in the "Distance from screen (mm)" column is 5087 mm. Looking across this row shows that a 130" (about 3.3 m) screen is required.

## Ceiling Mount Chart

Ceiling mount screw: M4  
(Max L = 25 mm; Min L = 20 mm)



Unit: mm

BenQ Europe B.V.

Meerenakkerweg 1-17  
5652 AR Eindhoven  
The Netherlands  
Tel: +31 88 8889200  
Fax: +31 88 8889299

BenQ.eu

© 2019 BenQ Corp. Specifications may vary by region, please visit your local stores for details.  
Actual product's features and specifications are subject to change without notice.  
This material may include corporate names and trademarks of third parties which are the properties of the third parties respectively.

**BENQ**