



Model Name **MS630ST Digital Projector**

Unique selling point **Trade Mark**

- * Brightness up to 3,200 Lumens
- * 2 HDMI Ports with 1 MHL Port Available
- * Short Throw Projector
- * <0.5W standby mode
- * Up to 10,000hours Long lamp life
- * SmartEco Power Saving technology



Projection System	DLP		
Native Resolution	SVGA (800x600)		
Brightness	3200AL		
Contrast Ratio	13000:1		
Display Color	1.07 Billion Colors		
Lens	F=2.6-2.78,f=10.2-12.24mm		
Aspect Ratio	Native 4:3 (5 aspect ratio selectable)		
Throw Ratio	0.9~1.08 (78" @ 1.44m)		
Image Size (Clear Focus/ Maximum)	60"~120" / 300"		
Zoom Ratio	1.2:1		
Lamp Type	196W		
Lamp(Normal/Economic/SmartEco/LampSave Mode)*	4500/6000/6500/10000 hours		
Keystone Adjustment	1D, Auto Vertical +/- 30 degrees		
Projection Offset	110% ±5%		
Resolution Support	VGA(640 x 480) to WUXGA_RB(1920 x 1200) * RB= Reduced blanking		
Horizontal Frequency	15K~102KHz		
Vertical Scan Rate	23~120Hz		
Compatibility	HDTV Compatibility	480i, 480p, 576i, 576p, 720p, 1080i, 1080p	
	Video Compatibility	NTSC, PAL, SECAM	
	3D Compatibility	PC: 120Hz Frame Sequential 3D for resolutions up to WXGA, PC: 60Hz Top-bottom 3D for	
Interface	Computer in (D-sub 15pin)	x 1(Share with component)	
	Monitor out (D-sub 15pin)	x 1	
	Composite Video in (RCA)	x 1	
	S-Video in (Mini DIN 4pin)	x 1	
	HDMI (1.4a)	x2 (one share with MHL2.0)	
	Audio in (Mini Jack)	x 1	
	Audio L/R in (RCA)	x 1	
	Audio out (Mini Jack)	x 1	
	Speaker	10W x 1	
	USB (Type mini B)	x 1 (Download & Page up/ down)	
	USB (Type A)	x1 (1.5A power supply)	
	RS232 (DB-9pin)	x 1	
	IR Receiver	x2 (Front+Top)	
Dimensions	Dimensions(W x H x D)	287.3 x 114.4x 232.6 mm	
	Weight	2.6KG	
Power	Power Supply	AC100 to 240 V, 50 to 60 Hz	
	Power Consumption	Normal 305W, Eco 220W, Standby <0.5W	
	Power Management Function	Automatic power off after 20 minutes without a display source.	
Audible Noise	33/28 dBA (Normal/Economic mode)		
On-Screen Display Languages	Arabic/Bulgarian/ Croatian/ Czech/ Danish/ Dutch/ English/ Finnish/ French/ German/ Greek/ Hindi/ Hungarian/ Italian/ Indonesian/ Japanese/ Korean/ Norwegian/ Polish/ Portuguese/ Romanian/ Russian/ Simplified Chinese/Spanish/ Swedish/ Turkish/ Thai/ Traditional Chinese (28 Languages)		
Picture Modes	**Bright / Presentation / sRGB / Cinema / (3D) / User 1 / User 2		
Accessories	Standard	Optional	
	Remote Control w/ Battery	Presentation Plus	P/N: 65J9306.002
	Power Cord (by region)	Spare Lamp Kit	P/N: 5J9V05.001
	User Manual CD	Ceiling Mount	P/N: 5JJ2K01.001
	Quick Start Guide	3D Glasses	P/N: 5JJ9H25.001
	Warranty Card (by region)	Carry bag	
	VGA(D-sub 15pin) Cable		

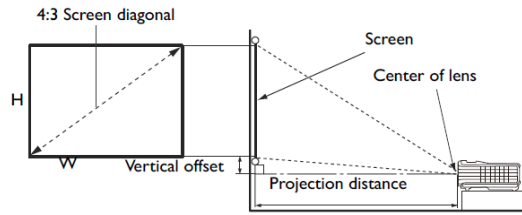
*Lamp life results will vary depending on environmental conditions and usage. Actual product's features and specifications are subject to change without notice.

** Default mode is **Presentation**. When 3D is on, Picture Modes only shows 3D. When 3D is off, it is not shown in Picture Modes.

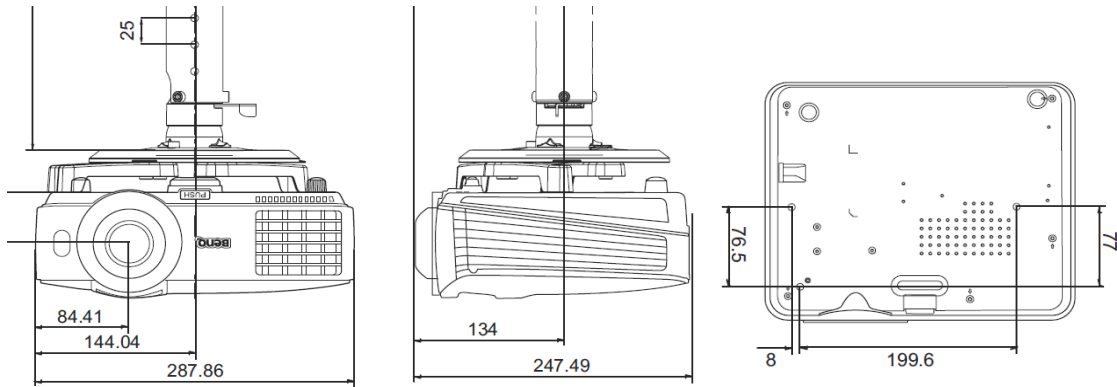
MS630ST Digital Projector

Distance Chart

Screen size				Distance from screen (mm)			Vertical offset (mm)
Diagonal		W (mm)	H (mm)	Min length (max. zoom)	Average	Max length (min. zoom)	
Inch	mm						
40	1016	813	610	734	807	881	30
50	1270	1016	762	917	1009	1101	38
60	1524	1219	914	1101	1211	1321	46
80	2032	1626	1219	1468	1615	1761	61
100	2540	2032	1524	1835	2018	2202	76
120	3048	2438	1829	2202	2422	2642	91
150	3810	3048	2286	2752	3028	3303	114
200	5080	4064	3048	3670	4037	4404	152
220	5588	4470	3353	4037	4440	4844	168
250	6350	5080	3810	4587	5046	5505	191
300	7620	6096	4572	5505	6055	6606	229



Wall mount/Ceiling mount Chart



Dimension

